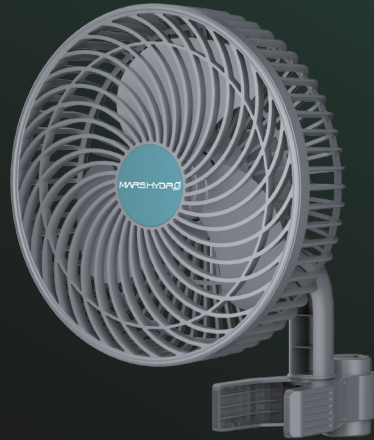


31.5cm



6 Inch Oscillating Clip Fan User Manual



14.5cm

W: www.mars-hydro.com

E : info@mars-hydro.com

T : 1 626 587 8506(US NO.)

A : JinTie Industrial Park LongGang
District ShenZhen 518100 China

Mars Hydro 6 Inch Oscillating Clip Fan

Always here to help you

Thank you for choosing our product. If you encounter any issues while using it, please contact us at any time. We are committed to providing you with the best quality after-sales experience.

What's in the Package

6 Inch Oscillating Clip Fan	1
User Manual	1
Input Cable	1
Adapter	1

Note: If any accessories are missing, please contact us.

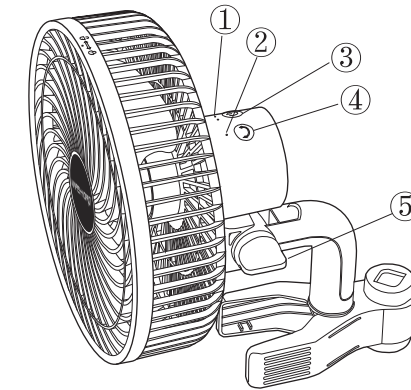
Attention

Voltage	110-240V AC
Rated Current	0.135A(MAX) 120V 0.08A(MAX)230V
Motor Type	DC Motor
Speed Mode	1-2-3 fan speed
Operate Temperature	-20-40 °C (-4 °F -104 °F)
Protection	IP44
Weight	600g/1.3Lb
Product Dimension	8.1x9.7x10.5 inch (L*W*H)

Efficiency

Fan Speed	0-2100RPM
Air volume	300-315CFM 509.7-594.65m³/H

Wind speed range	Speed	Wind speed at 1M
Model 1	985 (900±10%)	1.3M/S
Model 2	1571 (1500±10%)	2.0M/S
Model 3	2181 (2100±10%)	3.4M/S



①-Fan speed indicator

③-Battery on/off button

⑤-Vertical adjustment knob

②-Fan oscillation indicator

④-Automatic oscillation button

⑥-Fan clip

31.5cm

How to use the fan

1. ON/OFF

ON: Plug in the plug, press the power button, and the fan will default to the first gear speed working mode.

OFF: To shut down, press and hold the power button for 3 seconds. The fan will remember the speed level saved before shutdown and resume operation at that level when powered on again.

2. Adjust wind speed

Short press the power button to switch fan speeds. The speeds cycle in the order of 1-2-3, and the corresponding indicator light will turn on.

When the fan is operating at the third speed, all three indicator lights will be on. Press the button again to return the fan to the first speed.

3. Automatic oscillation feature

The oscillation function button is located next to the power button. Press the oscillation button to activate the automatic oscillation mode of the fan.

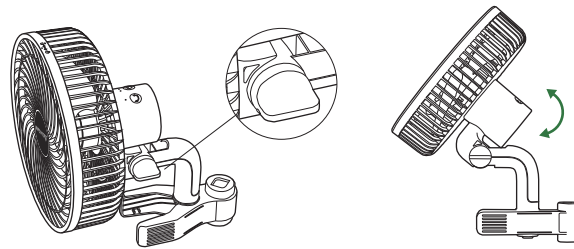
Range: 80° horizontal

4. Vertical angle adjustment

Adjustable through the ⑤ Vertical angle adjustment knob.

As the picture shows.

Range: Max. 85° vertical



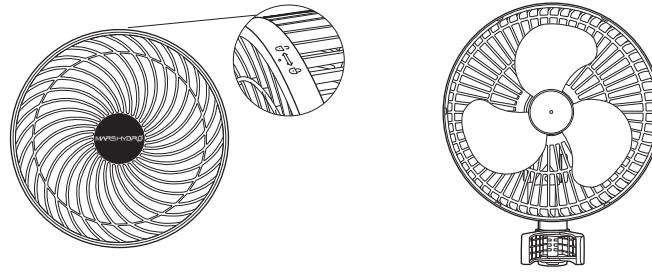
5. Clean

Rotate the cover according to the indications on the edge of the fan to unlock the latch and remove the cover. After cleaning, reinstall it following the indicated position.

Warning:

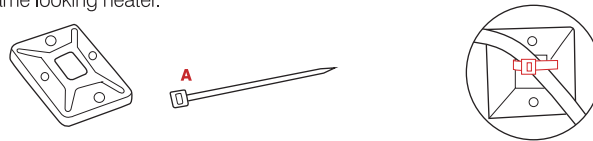
Do not open the cover while the fan is operating.

Please use a dry cloth for cleaning.



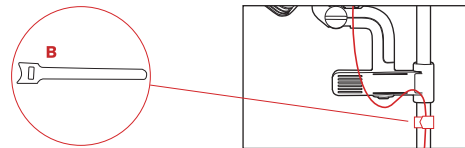
6. About 3M Plastic Blocks and Cable Ties

You can use them to organize the wiring of the fan power cord, preventing it from becoming tangled during fan operation and keeping your tent or planting frame looking neater.



7. About hook-and-loop fastener

You can use it to secure the power cord onto the support rod.



Attention

- ① For first time use of the fan, please press the power button, and activate the oscillation function as needed.
- ② Short press the power button to switch the fan speed, and press and hold the power button for 3 seconds to stop the fan's operation.
- ③ If the fan is not used for a long time, please store it in a dry place. If stored in a damp place, the lifespan of the fan may be shortened.
- ④ Do not insert your fingers or any other objects into the fan while it is in operation, in order to avoid injury to yourself or the fan.
- ⑤ Do not use chemical liquids or detergents to clean this product.
- ⑥ Do not disassemble the product by yourself, and do not remove the product grille while it is in operation.
- ⑦ Operating temperature range: -20 to 45 C .

Warranty

To ensure that we meet your needs, we provide a one-year warranty service from the date of purchase for defective products. Incorrect human operation, including disassembly, burning, soaking & falling, isn't covered by the warranty.

Warranty Procedure

Contact Mars Hydro Solutions Team:

[info@mars-hydro.com] with the following information readily prepared:

- (1) Your Order information. Including your order number, purchase platform, and order email.
- (2) A detailed description of the issue with pictures and/or videos.
- (3) Photos of all labels on the original box. (if preserved)
- (4) Associated proof of faulty/defective products. Photos and videos will help our team to provide a faster warranty service.

Mars Hydro Solutions Team will be at your service as soon as possible.

14.5cm