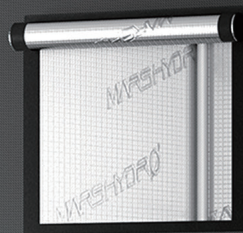


USER MANUAL

GROW TENT

MARSHYDRO

MARSHYDRO

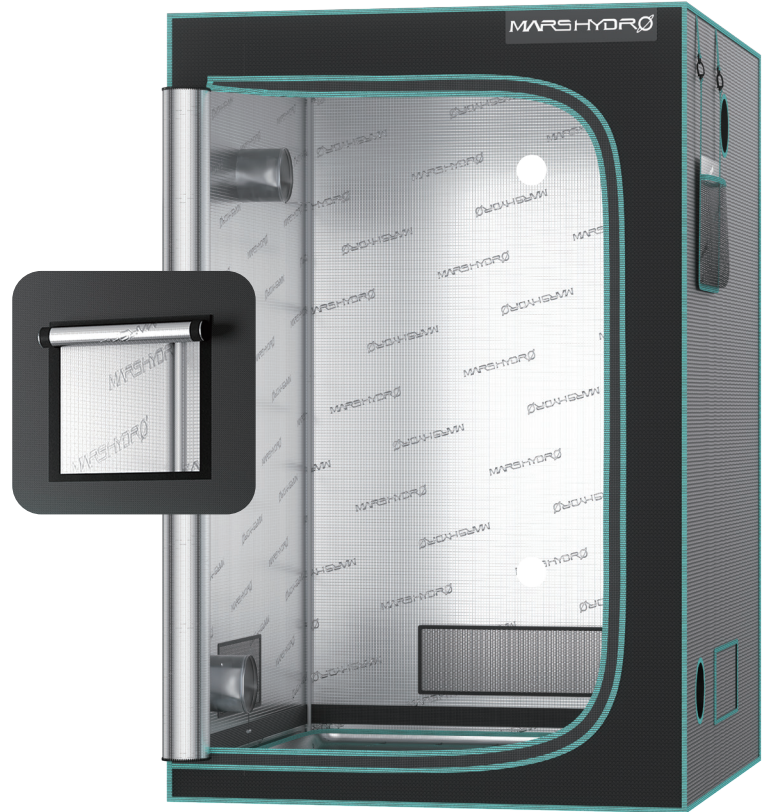


W: www.mars-hydro.com
E: solutions@mars-hydro.com
T: 1 626 587 8506(US No.)
A: JinTie Industrial Park,
LongGang District,
ShenZhen,518100,China

MADE IN CHINA MARS-TENT-01

KEY FEATURES

- **High Density 1680D Canvas**
Featuring waterproof and lightproof layers and 100% highly reflective diamond mylar, ensures tight-sealed inner room
- **Velcro Viewing Window**
Quickly observe your plants without opening the door (Part of models are without window)
- **Ventilation Port**
Connect ventilation system with double cinching ports, make airflow easier
- **Handy Tool Bag**
Easily hold gardening tools (Part of models are without tool bag)
- **Bottom Mesh Vent**
Keep better ventilation with mesh vent, to provide plants with optimal growing environment



GROW TENT



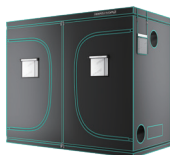
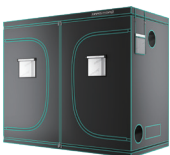
Tent Size	2'x2'x3' 24"x24"x36" 60x60x90cm	2'x2'x4' 24"x24"x48" 60x60x120cm	2'x2'x5' 24"x24"x55" 60x60x140cm	2.3'x2.3'x5.3' 27"x27"x63" 70x70x160cm	2.6'x2.6'x5.3' 32"x32"x63" 80x80x160cm	2.5'x1.5'x2.9' 30"x18"x36" 75x45x90cm	3'x1.6'x5.2' 36"x20"x63" 90x50x160cm
Vent Size (Qty/Diameter)	2x6",1x8" (2x15cm,1x20cm)	2x6",1x8" (2x15cm,1x20cm)	2x6",1x8" (2x15cm,1x20cm)	2x6",1x8" (2x15cm,1x20cm)	2x6",1x8" (2x15cm,1x20cm)	2x6",1x8" (2x15cm,1x20cm)	2x6",1x8" (2x15cm,1x20cm)
Micro-mesh window (Qty/Size)	/	/	1x10"x10" (1x25x25cm)	1x10"x10" (1x25x25cm)	1 x 10"x 10" (1 x 25x25cm)	/	1 x 10"x 10" (1 x 25x25cm)
Door Qty	1 front door	1 front door	1 front door	1 front door	1 front door	1 front door	1 front door
Package Weight	4.7kg/10.4lb	5.2kg/11lb	5.8kg/12.7lb	6.8kg/15.1lb	7.5kg/16.6lb	4.7kg/10lb	6.7kg/14lb
Support Capacity	40kg/88lb	40kg/88lb	40kg/88lb	50kg/110lb	50kg/110lb	50kg/110lb	50kg/110lb
Recommend Light	TS600 or SP150	TS600 or SP150	TS600 or SP150	TS600 or SP150 or TS1000	TS1000 or FC3000 or FC-E3000	TS600 or SP150	TS600 or SP150

GROW TENT



Tent Size	4'x2'x5' 48"x24"x60" 120x60x150cm	4'x2'x6' 48"x24"x71" 120x60x180cm	5'x2.6'x6.6' 60"x32"x80" 150x80x200cm	3'x3'x6' 36"x36"x71" 90x90x180cm	3.3'x3.3'x6' 39"x39"x71" 100x100x180cm	4'x4'x6.6' 48"x48"x80" 120x120x200cm	5'x5'x6.6' 60"x60"x80" 150x150x200cm
Vent Size (Qty/Diameter)	2x6",1x8" (2x15cm,1x20cm)	4x6",1x8" (4x15cm,1x20cm)	4x6",2x8" (4x15cm,2x20cm)	4x6",2x8" (4x15cm,2x20cm)	4x6",2x8" (4x15cm,2x20cm)	4x8",2x8" (4x20cm,2x20cm)	2x8",4x10" (2x20cm,4x25cm)
Micro-mesh window (Qty/Size)	1x10"x10" (1x25x25cm)	1x10"x10" (1x25x25cm)	1x10"x10" (1x25x25cm)	1x10"x10" (1x25x25cm)	1 x 10"x 10" (1 x 25x25cm)	1 x 10"x 10" (1 x 25x25cm)	1 x 10"x 10" (1 x 25x25cm)
Door Qty	1 front door	1 front door	1 front door	1 front door	1 front door	1 front door	1 front door 2 side doors
Package Weight	8.3kg/18.4lb	9kg/20lb	11.8kg/26lb	9kg/19.8lb	9.5kg/21.1lb	12.5kg/27.7lb	15kg/33.3lb
Support Capacity	50kg/110lb	50kg/110lb	60kg/133lb	50kg/110lb	50kg/110lb	70kg/155lb	70kg/155lb
Recommend Light	TSL2000 or SP3000	TSL2000 or SP3000	TSL2000 or SP3000	TS1000 or FC3000 or FC-E3000	TS1000 or FC3000 or FC-E3000	TSW2000 or FC4800 or FC-E4800	TS3000 or FC6500 or FC-E6500 or FC8000

GROW TENT



Tent Size	8'×4'×6.6' 96"×48"×80" 240×120×200cm	8'×8'×6.6' 96"×96"×80" 240×240×200cm	10'×5'×6.6' 118"×60"×80" 300×150×200cm	3'×2'×5' 36"×24"×55" 90×60×140cm	4'×3'×6' 48"×36"×70" 120×90×180cm	5'×4'×6.6' 60"×48"×80" 150×120×200cm	8.8'×4'×6.6' 106"×48"×80" 270×120×200cm
Vent Size (Qty/Diameter)	2×8",4×10" (2×20cm,4×25cm)	4×8",4×12" (4×20cm,4×30cm)	2×8",4×10" (2×20cm,4×25cm)	3×6",2×8" (3×15cm,2×20cm)	4×6",3×8" (4×15cm,3×20cm)	2×6",5×8" (2×15cm,5×20cm)	2×6",2×8",3×10" (2×15cm,2×20cm,3×25cm)
Micro-mesh window (Qty/Size)	2×10"×10" (2×25×25cm)	2×10"×10" (2×25×25cm)	2×10"×10" (2×25×25cm)	/	2×10"×10" (2×25×25cm)	2×10"×10" (2×25×25cm)	3×10"×10" (3×25×25cm)
Door Qty	2 front doors 2 back doors	2 front doors 2 back doors	2 front doors 2 back doors	2 front doors	2 front doors	2 front doors	2 front doors
Package Weight	20kg/44.4lb	31kg/68.8lb	25.7kg/57lb	10.5kg/23.3lb	15kg/33.33lb	20kg/44.4lb	25.5kg/56lb
Support Capacity	110kg/240lb	150kg/330lb	110kg/240lb	50kg/110lb	60kg/133lb	80kg/177lb	130kg/288lb
Recommend Light	TSW2000×2 or FC4800×2 or FC-E4800×2 or TSL2000/SP3000×4	TSW2000×4 or FC4800×4 or FC-E4800×4 or TSL2000/SP3000×8	TS3000×2 or FC6500×2 or FC8000×2	TS600 or SP150	TS1000 or FC3000 or FC-E3000	TSW2000 or FC4800 or FC-E4800	TSW2000×2 or FC4800×2 or FC-E4800×2 or TSL2000/SP3000×4

STANDARD SERIES

Please Note: The alphabets mark with * means that it needs to connect the steel hanger with poles to set up a complete pole.

Tent Size	Tent Cloth	Floor Tray	Tool Bag	Adapter				Pole								
				D	E	T	M	E	F	G	H	H*	J	J*	K	K*
24"×24"×36"	x1	x1	0	x8	0	0	0	x8	0	x4	x1	0	x1	0	0	0
24"×24"×48"	x1	x1	0	x8	0	0	0	x8	x4	x4	x1	0	x1	0	0	0
24"×24"×55"	x1	x1	0	x8	0	0	0	x8	x4	x4	x1	0	x1	0	0	0
27"×27"×63"	x1	x1	0	x8	0	0	0	x8	x4	x4	x1	0	x1	0	0	0
32"×32"×63"	x1	x1	0	x8	0	0	0	x8	x4	x4	x1	0	x1	0	0	0
30"×18"×36"	x1	x1	0	x8	0	0	0	x4	x4	x4	x0	0	x1	0	x1	0
36"×20"×63"	x1	x1	0	x8	0	0	0	x4	x4	x4	x4	0	x1	0	x1	0
36"×36"×71"	x1	x1	x1	x8	0	0	0	x8	x4	x4	x1	0	x1	0	0	0
39"×39"×71"	x1	x1	x1	x8	0	0	0	x8	x4	x4	x1	0	x1	0	0	0
48"×24"×60"	x1	x1	x1	x8	0	0	0	x4	x4	x4	x4	0	x2	0	0	x1
48"×24"×71"	x1	x1	x1	x8	0	0	0	x4	x4	x4	x4	0	x2	0	0	x1
60"×32"×80"	x1	x1	x1	x8	0	0	0	x4	x4	x4	x4	0	x2	0	x1	0
48"×48"×80"	x1	x1	x1	x8	0	0	0	x8	x4	x4	0	x2	0	x1	0	0
60"×60"×80"	x1	x1	x1	x8	0	0	0	x8	x4	x4	x2	0	x1	0	0	0
96"×48"×80"	x1	x1	x1	x8	x4	0	0	0	x14	x6	x6	0	x4	0	x2	0
96"×96"×80"	x1	x1	x1	x8	x6	x3	x1	0	x22	x9	x9	0	x4	0	x4	0
118"×60"×80"	x1	x1	x1	x8	x4	0	0	0	x14	x6	x6	0	x4	0	x2	0

GROW TENT SETUP

ASSEMBLY GUIDE

Do not pull the tent cloth violently

FOR MODEL

Small Grow Tent:

24"×24"×36"/60×60×90cm

24"×24"×48"/60×60×120cm

24"×24"×55"/60×60×140cm

27"×27"×63"/70×70×160cm

32"×32"×63"/80×80×160cm

Medium Grow Tent:

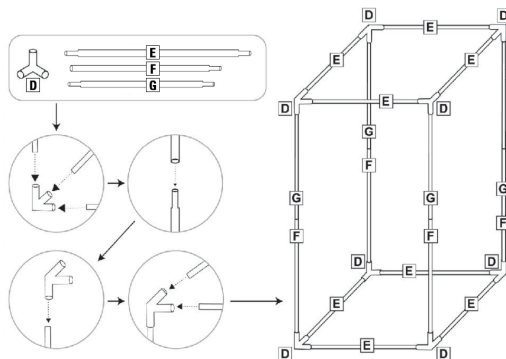
36"×36"×71"/90×90×180cm

39"×39"×71"/100×100×180cm

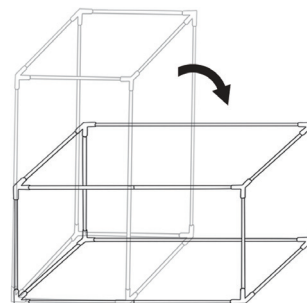
48"×48"×80"/120×120×200cm

60"×60"×80"/150×150×200cm

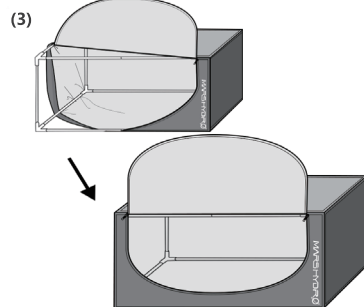
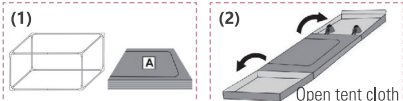
STEP 1: Set up the tent frame according to the alphabetical order



STEP 2: Place the tent frame horizontally

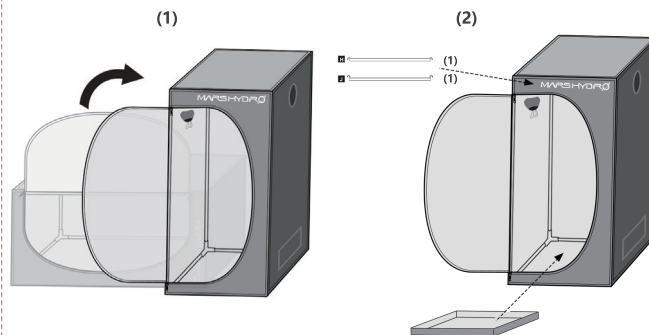


STEP 3: Cover the tent frame with the tent cloth



STEP 4: (1) Place the tent vertically

(2) Get the tent poles inside the tent and Put the floor tray into the tent



GROW TENT SETUP

ASSEMBLY GUIDE

Do not pull the tent cloth violently

FOR MODEL

Small Grow Tent:

30"×18"×36"/75×45×90cm
without "H" pole

36"×20"×63"/90×50×160cm

Medium Grow Tent:

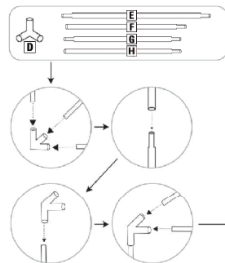
48"×24"×60"/120×60×150cm

48"×24"×71"/120×60×180cm

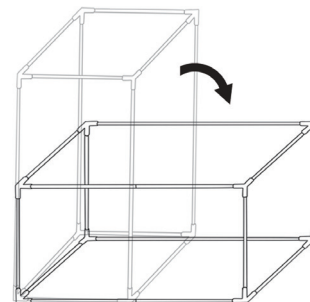
60"×32"×80"/150×80×200cm

STEP 1

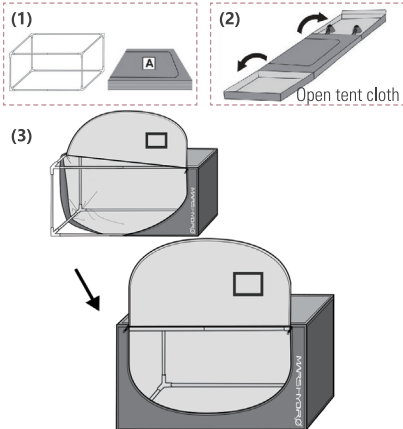
Set up the tent frame according to the alphabetical order



STEP 2: Place the tent frame horizontally

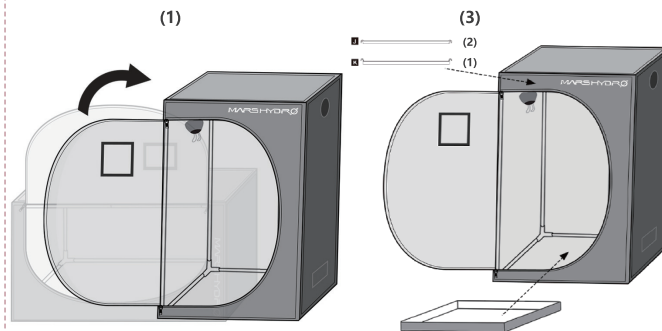


STEP 3: Cover the tent frame with the tent cloth



STEP 4: (1) Place the tent vertically

(2) Get the tent poles inside the tent and Put the floor tray into the tent



GROW TENT SETUP

ASSEMBLY GUIDE

Do not pull the tent cloth violently

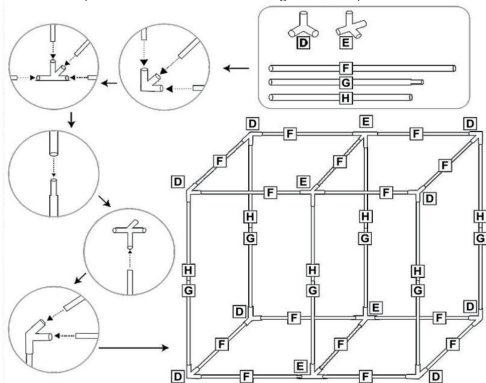
FOR MODEL

Large Grow Tent:

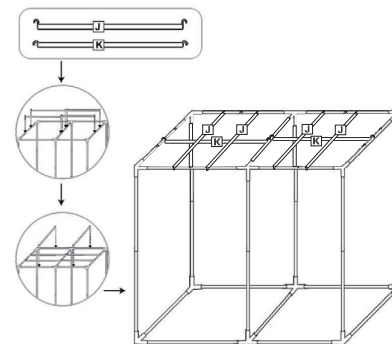
96"×48"×80"/240×120×200cm

118"×60"×80"/300×150×200cm

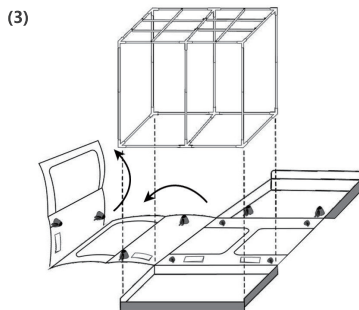
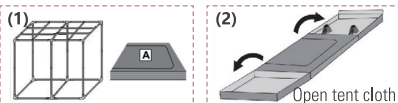
STEP 1: Set up the tent frame according to the alphabetical order



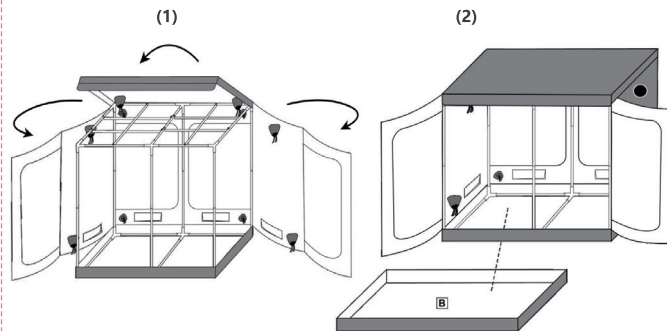
STEP 2: Place the 6 tent poles on the top of the frame (2 "k", 4 "J")



STEP 3: Spread the tent cloth on the ground and put the frame on the tent cloth



STEP 4: (1) Cover the tent frame with the tent cloth
(2) Put the floor tray into the tent



GROW TENT SETUP

ASSEMBLY GUIDE

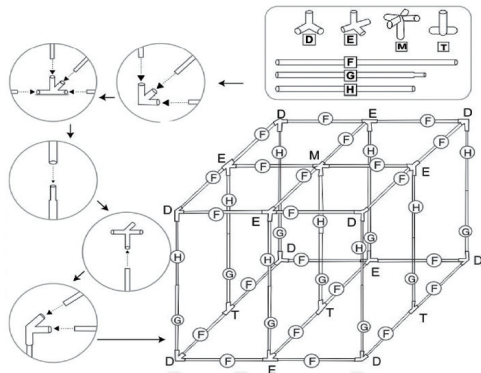
Do not pull the tent cloth violently

FOR MODEL

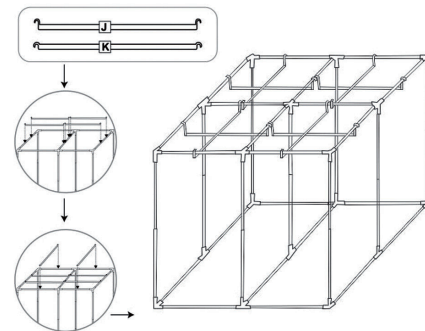
Large Grow Tent:

96"×96"×80"/240×240×200cm

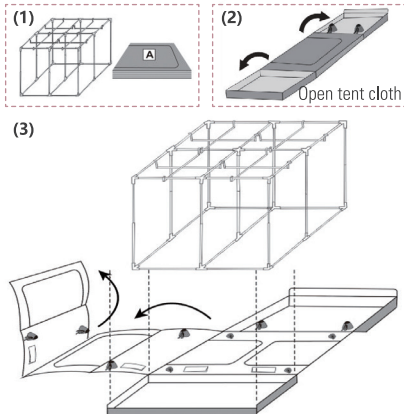
STEP 1: Set up the tent frame according to the alphabetical order



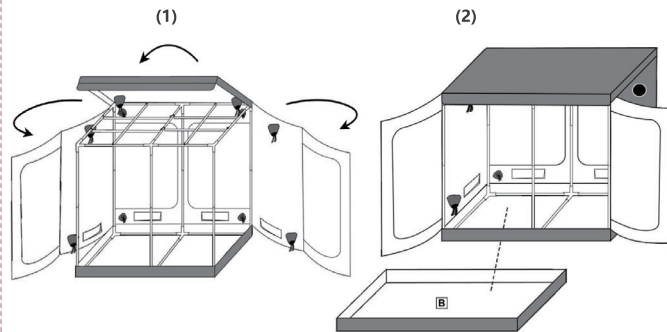
STEP 2: Place the 6 tent poles on the top of the frame (4 "k", 4 "J")



STEP 3: Spread the tent cloth on the ground and put the frame on the tent cloth



STEP 4: (1) Cover the tent frame with the tent cloth
(2) Put the floor tray into the tent





CAUTION



1. Please follow the installation steps to assemble the grow tent correctly to avoid light leakage due to excessive pulling.
Installation video for reference: Mars Hydro Grow Tent Set Up
<https://www.youtube.com/watch?v=kTLyCTFMjS4>
2. Do not permit children to play on, in or around grow tent.
3. Do not expose grow tent to direct sunlight, near an open flame, or a heat source.
4. Please be extremely careful when holding sharp objects in or around tent.
5. Do not hang exceed weight equipment which above the supported range on or from grow tent.



1. Befolgen Sie die Installationsanweisungen, um das Pflanzzelt richtig zusammenzubauen und ein Auslaufen durch übermäßiges Ziehen zu vermeiden. Die folgenden Installationsvideos dienen nur als Referenz: Mars Hydro Grow Tent Set Up
<https://www.youtube.com/watch?v=kTLyCTFMjS4>
2. Lassen Sie Kinder nicht im oder um das Zelt herum spielen.
3. Stellen Sie das Zelt nicht direkt in die Sonne oder in die Nähe einer offenen Flamme oder Wärmequelle.
4. Seien Sie vorsichtig, wenn Sie scharfe Gegenstände im oder um das Zelt halten.
5. Hängen Sie keine Geräte, die den Tragbereich überschreiten, an das Zelt.



1. Veuillez suivre les étapes d'installation pour assembler correctement la tente de plantation afin d'éviter les fuites de lumière causées par une traction excessive.
La vidéo d'installation suivante est uniquement pour référence :
Installation de la tente de culture Mars Hydro
<https://www.youtube.com/watch?v=kTLyCTFMjS4>
2. Ne laissez pas les enfants jouer dans ou autour de la tente
3. Ne placez pas la tente directement au soleil ou à proximité d'une flamme nue ou d'une source de chaleur
4. Soyez prudent lorsque vous tenez des objets pointus dans ou autour de la tente
5. Ne suspendez pas d'équipement dont le poids dépasse la charge maximale que la tente peut supporter.



1. Vi preghiamo di montare correttamente la tenda per le piante seguendo i passaggi, così da evitare perdita di luce causata da trazione eccessiva.
Questo video di installazione è solo per il vostro riferimento:
Mars Hydro Grow Tent Set Up
<https://www.youtube.com/watch?v=kTLyCTFMjS4>
2. Non permettere ai bambini di giocare dentro o attorno alla tenda.
3. Non posizionare la tenda direttamente sotto il sole, né vicino a fiamme libere o fonti di calore.
4. Stare attenti quando si tengono oggetti appuntiti dentro o attorno alla tenda
5. Non appendere sulla tenda le apparecchiature che superano il raggio di portata della tenda.



1. Monte correctamente la tienda de cultivo según el procedimiento de instalación para evitar fugas de luz causadas por tirones excesivos. Los siguientes videos de instalación son de referencia únicamente:
Instalación de la tienda de cultivo Mars Hydro
<https://www.youtube.com/watch?v=kTLyCTFMjS4>
2. No permita a los niños jugar dentro o alrededor de la carpa.
3. No coloque la tienda directamente al sol, ni cerca de un fuego abierto o fuente de calor.
4. Tenga cuidado al sostener objetos afilados dentro o alrededor de la tienda.
5. No cuelgue objetos que excedan del rango de carga.



1. 過度に引っ張って漏れを起こさないように、設置手順に従って成長テントを正しく組み立ててください。
参考のためのインストールビデオ：
Mars Hydro Grow Tent のインストール
<https://www.youtube.com/watch?v=kTLyCTFMjS4>
2. 成長テントの上、中、または周りで子供が遊んではいけない
3. 成長テントを直射日光にさらさず、火や熱源に近づかない
4. テント内や周囲で尖ったものを持つ場合は、特に注意してください
5. 支持範囲を超える超重量設備を成長テントにぶら下げたり、成長テントからぶら下げたりしない



WARRANTY



- All eligible MARS HYDRO products carry a 30-day satisfaction guarantee, beginning from the day the product is received.
- All returned merchandise must be in the original packaging along with all components and accessories, no man-made damage and no affect on the second sale. **Guaranteed by MARS HYDRO** 30-day unconditional refund for quality problems is offering.



- Ab Erhalt des Produkts können alle authentischen Produkte der Marke MARS HYDRO 30 Tage lang problemlos zurückgegeben werden.
- Alle zurückgegebenen Waren müssen in der Originalverpackung mit allen dazugehörigen Ersatzteilen ohne Personenschäden und ohne Beeinträchtigung des Weiterverkaufs des Produkts sein. **Garantiebestimmungen** Wenn es irgendein Qualitätsproblem gibt, bedingungslose Rückgabe oder Rückerstattung innerhalb von 30 Tagen



- À compter de la date de réception du produit, toutes les marques authentiques MARS HYDRO peuvent bénéficier d'un échange ou d'un remboursement sous 30 jours.
- Tous les produits retournés doivent être dans leur emballage d'origine, avec toutes les pièces de rechange qui les accompagnent, sans dommage d'origine humaine et sans que la revente du produit soit compromise. **MARS HYDRO Politique de garantie**
En cas de problème de qualité, retour inconditionnel ou remboursement dans les 30 jours.



- Da quando riceve la merce, tutti i prodotti veri di marca MARS HYDRO possono essere restituiti o sostituiti entro 30 giorni.
- Tutti i prodotti restituiti dovrebbero usare confezione originale, insieme a tutti gli accessori, i quali non sono daneggiati da gli uomini, e non hanno problema per la vendita della prossima volta. **Misure di garanzia** In caso di problemi di qualità, restituiamo o rimborsiamo incondizionatamente entro 30 giorni.



- Todos los productos MARS HYDRO disponen de 30 días de garantía de satisfacción desde el día que el producto es recibido.
- Todas las devoluciones deben ser enviadas en su embalaje original con todos los componentes y accesorios. No se cubre el daño causado por daños personales o efecto de venta de segunda mano. **Política de garantía** Dentro de los 30 días, se admiten devoluciones o reembolsos incondicionales en los productos que tienen problema de calidad.



- 製品を受け取った日から、すべてのMARS HYDRO製品に30日間の満足度保証がある
- 返品商品はすべての部品と一緒に元の包装を使用しなければならず、人為的に破損してはならず、2回目の販売に影響を与えてはならない
MARS HYDROによる保証 提供された場合、30日以内に無条件に品質問題を返却する